



**TOOL-LESS
 MICRO-
 ADJUSTMENT**

BT8390-VESA400MAP SYSTEM X™ UNIVERSAL POP-OUT INTERFACE ARMS WITH MICRO-ADJUSTMENT

Ideal for assembling videowalls and other multi-screen applications, these interface arms are designed to mount medium to large sized screens on to System X horizontal mounting rails, providing a solution with easy pop-out access to aid installation and screen maintenance. The universal design is compatible with all videowall screens and the modular design allows an almost endless number of configurations to be assembled, in both landscape or portrait orientations. Tool-less micro-adjustment allows perfect alignment of displays and a mounted depth of 105.4mm from the wall allows easy access for cables and connectors.

SPECIFICATION

Recommended screen size	39" - 70"
Max load	50kg
VESA® & non-VESA fixings	up to 400mm* (vertical dimension)
Closed depth (mounted using BT8390-WFK1)	105.4mm
Open depth (mounted using BT8390-WFK1)	273.9mm
Depth adjustment	+/- 10mm
Height adjustment	+/- 20mm

* The VESA specification of the BT8390-VESA400MAP refers to the **vertical dimension only**.
 All System X interface arms can be positioned as far along the rail as necessary.
 BT7564 Interface Adaptor Arms can be used to increase the maximum vertical fixings to 600mm
 BT7565 Interface Adaptor Arms can be used to increase the maximum vertical fixings to 800mm

FEATURES

- Ideal for videowalls and other multi-screen installations
- Push to open / push to close system provides quick and easy service access
- Perfect solution for mounting screens into a recessed wall
- Suitable for landscape or portrait mounting
- Tool-less micro-adjustment for seamless display alignment
- Includes locking screw to prevent accidental pop-out of release mechanism
- Safety screws help prevent unauthorised removal of screens
- Simple 'hook-on' installation



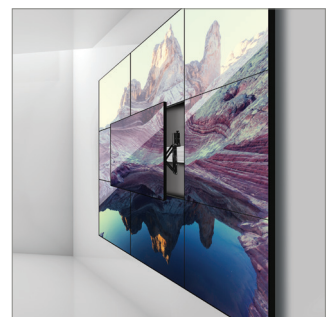
Tool-less micro-adjustment for seamless display alignment



Push to open / push to close system provides quick and easy service access

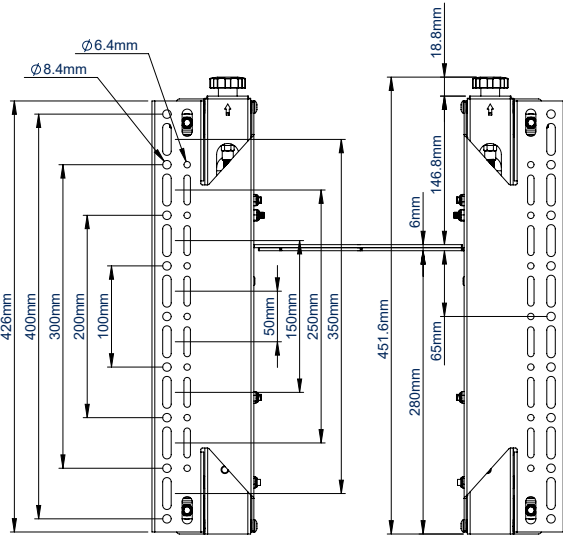


Safety screws help prevent unauthorised removal of screens

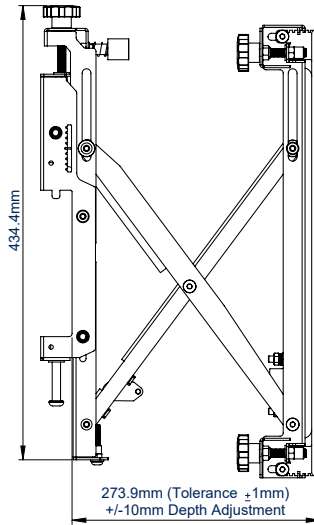


Ideal for videowalls and other multi-screen installations

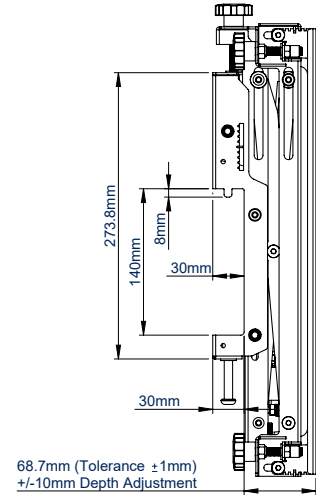




FRONT VIEW

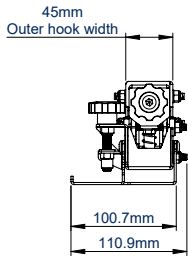


SIDE VIEW - EXTENDED

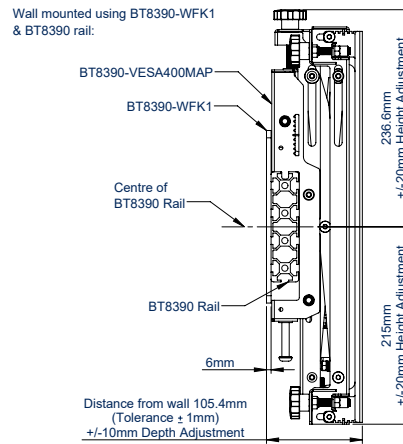


SIDE VIEW - CLOSED

TYPICAL INSTALLATIONS



TOP VIEW



WALL MOUNTED*

PACKING INFORMATION

COLOUR:	ORDER REF:	EAN CODE:	MASTER CARTON QTY:	INNER CARTON QTY:	MASTER CARTON WEIGHT:	MASTER CARTON CUBE:
Black	BT8390-VESA400MAP/B	5019318501609	2	0	17kg	0.03cbm

*Please note all other components shown in the technical drawings are available separately.

ACCESSORIES AND RELATED PRODUCTS



BT7564
Interface Adaptor Arms for VESA 600 x 400 can be used with VESA 200 or 400 arms to increase the maximum vertical fixings to 600mm for larger screens



BT8390-030/050/070/150/175/200
Mounting Rails can be fixed to columns, walls or poles using System X components



BT8390-WFK1
Rail Mounting Kit is a wall fixing kit to attach a mounting rail to the wall



BT8390-VESA400MAF
VESA 400 Interface Arms with Micro-Adjustment Can be used in conjunction with BT8390-VESA400MAP arms to create a cost effective videowall mount

© 2015 B-Tech Mounts Ltd. All rights reserved. This information is provided for informational purposes only. B-Tech Mounts Ltd. is not responsible for any damage or loss of data caused by improper use, installation or repair of any part of this product. B-Tech Mounts Ltd. is not responsible for any damage or loss of data caused by improper use, installation or repair of any part of this product. B-Tech Mounts Ltd. is not responsible for any damage or loss of data caused by improper use, installation or repair of any part of this product. B-Tech Mounts Ltd. is not responsible for any damage or loss of data caused by improper use, installation or repair of any part of this product.